



ARBITRATION POLICY

In-Lane and Online

**EFFECTIVE DATE:
October 13, 2013**



Arbitration Policy

Effective Date: October 13, 2013

I. General Policies:

1. Fair and Ethical Sale

The sales made at an Auction are intended to promote fair and ethical treatment to both the Buyer and Seller. If Auction determines that the transaction is not fair and ethical to either party, the Seller and the Buyer agree that Auction may cancel the sale, at its sole discretion. Federal, State, and Local laws supersede these policies where applicable.

2. Auction Role in Sale:

- a. Auction makes no representations or guarantees on any vehicle sold or offered for sale.
- b. Auction is not a party to the contract of the sale. The sales contract is between the Seller and Buyer only.
- c. All vehicles bought or sold on the premises must be processed through the Auction office. Failure to do so will result in suspension of trading privileges at Auction.
- d. Auction reserves the right to review any audio/video documentation to verify the accuracy of a sale.
- e. Any vehicle consigned with the Auction is subject to government inspection, with or without prior notice, by the FBI, State Police, National Auto Theft Bureau, Local Police Authorities, any other governmental agency, or quasi-governmental agency.

3. Auction VIN Policies

All vehicles consigned must have a public Vehicle Identification Number (VIN) plate attached to the vehicle. Those vehicles having a reassigned VIN plate by the State in place of the original VIN plate must be announced or will be subject to sale cancellation or Buyer return.

Auction reserves the right to refuse the sale of any vehicle in which the VIN plate appears to be altered in any way.

II. Sale Light System:

Auction has a standard light/video display system to describe the condition and/or disclosures related to the vehicle being sold. The system is defined as:

1. **Green Light – "Ride and Drive"**: The green light signals that this vehicle is guaranteed under the conditions outlined in the Arbitration Guidelines section, except for specific disclosures or announcements made prior to the sale.
2. **Yellow Light – "Announcements"**: This light is an indication to the Buyer that the Auctioneer or Selling Representative has made announcements that qualify/clarify the condition or equipment and limit arbitration of this vehicle. This light can be used in conjunction with any other light.
3. **Red Light – "As-Is"**: Vehicles selling under the red light will only qualify for arbitration under the rules outlined in the Arbitration Guidelines section. (As-Is dollar amount, model years, and mileage is subject to local auction policy).
4. **Blue Light – "Title Attached/Title Unavailable/Title Absent"**: This light is used to announce that the title is not present at the time of the sale. For Auction rules regarding titles please refer to the Title Arbitration Policy section. If "title attached/unavailable/absent" is not announced, a vehicle could be arbitrated for misrepresentation.



Arbitration Policy

Effective Date: October 13, 2013

III. Seller Responsibilities:

1. Seller will be held responsible for the accuracy and completeness of all representations or descriptions. This includes handouts, catalogues, vehicle markings, condition information or vehicle listings and verbal or written statements made by Seller, Auction, Auctioneer or Selling Representative at the time of sale. The Seller understands that the sale light/video display is a binding arbitration representation of vehicle condition, and is therefore responsible for ensuring that their vehicles sell under the correct light in the lane.
2. Mileage announcements are not required for vehicles that are 10 years or older and/or deemed exempt from Federal/State Odometer and Title disclosure laws unless a mileage discrepancy is known or apparent to the seller. The Seller may represent miles on exempt vehicles; any disclosures made by the Seller and all known odometer discrepancies are grounds for arbitration.
3. Title discrepancies must be announced including, but not limited to; not actual miles, salvage, theft recovery, stolen vehicle, flood damage, Lemon Law buybacks and trade assist.
4. Announcements are required for any matters that relate to the safety or integrity of the vehicle including but not limited to all requirements under local, state or federal statutes or regulations. Announcements must be made both verbally and disclosed on the auction invoice/sale contract/bill of sale or equivalent document in a physical or online auction environment.
5. The announcement of the presence of warning lights does not exempt a Seller from arbitration responsibilities as defined by the policy. The issue/defect found to be the cause of the light may be arbitrated within the stated time period and dollar amount threshold according to Appendix 1.
6. The availability of a manufacturer's warranty shall not affect a Buyer's right to arbitrate a vehicle. Regardless of the warranty coverage in terms of the root cause of the complaint, an announcement may be required.
7. In the event of a successful arbitration by the Buyer, the Seller is responsible for reimbursement of all reasonable documented expenses incurred by the Buyer (excluding profit, commissions and detail charges) on vehicles arbitrated for undisclosed conditions. Reimbursements that qualify under these guidelines will be at the sole discretion of the Auction and will be limited to the reasonable and documented expenses at auction (wholesale) repair cost.
8. Seller will not be paid for vehicles in arbitration until arbitration is settled and vehicles are sold. For arbitrations occurring after the seller has been paid, seller is required to promptly return the payment to the auction if the transaction is voided as a result of arbitration.



Arbitration Policy

Effective Date: October 13, 2013

iv. Buyer Responsibilities:

1. **Prior to placing bids**, the Buyer is responsible for inspecting the vehicle, listening to and reviewing any verbal or written announcements and disclosures made by the Seller, Auction, Auctioneer or Selling representative. Online buyers are also responsible for reviewing all pertinent information available online, including but not limited to announcements, disclosures, condition reports, pictures and online listings. Buyers are also responsible for observing and understanding the sale lights (Green, Yellow, Red, Blue), which identify various sale conditions for the vehicle. Once the vehicle is sold, the Buyer should check the Auction sales receipt or appropriate document to confirm the vehicle price, disclosures and announcements are correct before legibly printing and signing their name or digitally/electronically signing the Auction sales receipt or appropriate document.
2. It is strongly encouraged that an Online Buyer should have a Post Sale Inspection (PSI) on vehicles purchased.
3. The auction will not arbitrate vehicles based upon any unintentional errors or omissions of any promotional information related to the vehicle, handouts, catalogues, vehicle markings, or vehicle listings as they are for the convenience of the buyer and are not to be relied upon as accurate or complete.
4. Buyer agrees to be liable for any and all work done to a vehicle (including a vehicle purchased as title attached, unavailable or absent) prior to returning the vehicle to Auction except on vehicles arbitrated for undisclosed conditions not detectable through vehicle inspection including but not limited to; not actual miles, salvage, theft recovery, stolen vehicle, flood damage, Lemon Law buybacks and trade assist.
5. The Buyer is financially responsible for any pending sale and assumes all risk of loss until arbitration is final.
6. The Buyer or Buyer's agent (transporter or driver) should note any obvious damage on the gate release prior to removing the vehicle from the Auction or facilitation service provider's location. Auction or facilitation service provider and Seller will not be responsible for any obvious damage not identified on the gate release or the condition report once the vehicle is removed from the location.
7. The Buyer shall not surrender possession of the vehicle to any claimant, except as required by legal process, nor shall Buyer voluntarily pay or acknowledge the validity of any claim, without the prior approval of Auction. Time is of the essence. Any failure on the part of the Buyer, after becoming aware of said claim, to notify Auction of any claim in a timely manner or failure of the Buyer to cooperate in defending any such claim shall relieve Auction and seller of any liability under this policy.
8. A vehicle is not considered returned until received, inspected and approved for return by Auction management. Any vehicle returned must be in the same or better condition as when sold. Any vehicles delivered to and left on Auction premises without Auction approval remain the sole responsibility of the Buyer. Buyer assumes all risk of loss. Vehicle must be returned in a timely manner consistent with Auction direction.
9. There may be a charge of \$(auction choice) per mile for excessive mileage on a returned vehicle at the discretion of the Auction.
10. The Seller/Auction shall not be liable for any vehicle sale or repairs made by the Buyer before the title is received by the Buyer. If the title has been mailed from Auction to Buyer, Buyer may not return vehicle. If the Seller presents a valid negotiable title to the Auction within **72** hours from the time that the Buyer notifies the auction of their intent to return the vehicle, then the transaction will stand.



Arbitration Policy

Effective Date: October 13, 2013

v. Title Arbitration Policy:

1. All titles submitted by Seller must be in Seller's company name on title or on a properly executed reassignment form. The Seller guarantees the titles of vehicles that are sold through Auction. This guarantee of the title warrants that the title shall be marketable and free and clear of all liens and encumbrances. This includes any brand (such as 'salvage') noted upon the current or any prior certificate of title unless such encumbrances were announced at the time the vehicle is sold through Auction and for a period of four (4) years from the date of sale. Seller's liability under this title guarantee shall never exceed the Auction sale price (the "maximum amount") of the vehicle, and this maximum amount shall be reduced by two percent (2%) per month following Auction sale date. All liability under this title guarantee shall expire and terminate 48 months after Auction sale date. Auction will not be responsible for any expenses incurred on vehicles returned for late title.
2. Seller warrants, represents and guarantees possession and conveyance of a certificate of title, properly executed, valid in the state where the transaction is occurring and clear of all liens and encumbrances (except current year DMV fees in California), and seller warrants and will defend the title against the claims and demands of all persons whatsoever.
3. Seller will ensure that the title must be reassigned directly to Buyer. Any title assigned directly to facilitating auction will not be accepted.
4. Seller will not be paid for vehicles until a transferable title is received.
5. Auction accepts no responsibility for non-titled vehicles sold without title. Seller must announce the vehicle being sold with a bill of sale only and that there is no title to transfer. All non-titled vehicles and equipment will be sold "As-Is".
6. If the title problem is due to a clerical or coding error, or incomplete documentation, Auction shall be given reasonable time after receiving notice to have the error corrected.
7. Applications or other documents related to a duplicate title will not be accepted, unless announced as such or if allowed by the appropriate jurisdiction.
8. Foreign titles, such as Canadian titles, are unacceptable.
9. Seller has up to a maximum of [see Auction Title Policy (Auction Choice)] calendar days for title to be received by Auction. (Sale day is Day 1). After (Auction Choice) calendar day period, it is the Buyer's option to return the vehicle or wait a reasonable period of time for the title. If, after 90 calendar days, Seller has not produced negotiable title and Buyer has not returned the vehicle, this title guarantee shall not apply and Auction shall have no duty to produce the certificate of title to the Buyer and shall have no duty to pay Seller.
10. Vehicles lacking a properly assigned title or reassignment to transfer a title at time of sale must sell "Title Attached/Title Unavailable/Title Absent", unless announcement is not required within the region.
11. Vehicles lacking lien release or a valid repo affidavit for a repossessed vehicle (where allowed by law) must be sold "Title Attached/Title Unavailable/Title Absent", unless announcement is not required within the region.
12. In regard to defect in title, and in any matter relating to odometer mileage, odometer statements, or damage disclosure statements: Seller and Buyer agree to indemnify and hold harmless Auction from any liability, loss costs, damage or expense, including attorney fees which may arise either directly or indirectly from the sale and purchase of the consigned vehicle including but not limited to title services provided.



Arbitration Policy

Effective Date: October 13, 2013

13. Whenever any claim is made by any person against the title of a vehicle, whether by suit or otherwise, the Buyer, after becoming aware of said claim, shall immediately notify Auction. This involves giving full particulars of claim, cooperating fully in defending any legal action, and in taking other steps to minimize possible loss.

VI. Grey Market Vehicles:

1. Eligible Vehicles

Any vehicle not originally built to U.S. specifications can, under certain circumstances, be imported through a registered importer who modifies the vehicle to comply with US equipment and safety regulations and then certifies it as compliant, and an independent commercial importer who modifies the vehicle to comply with US emissions regulations and then certifies it as compliant. Only vehicles properly converted to U.S. specifications can be sold and must be announced as such.

2. Seller Responsibilities

Seller must inform Auction that a vehicle has grey market history at time of registration and must disclose that to the buyer in writing as an announced condition on all documentation supporting the transaction.

3. Proper Conversion

a. If a vehicle was manufactured in Canada for the Canadian Market, the Manufacturer is required to obtain and affix a U.S. Safety Standard Certification Label to the vehicle.

- b. All other vehicles imported must be imported through a Registered Importer. Registered Importers are required to post a bond with the U.S. Department of Transportation. All vehicles imported through a Registered Importer must have:
- i. U.S. Safety Standard Certification Label that identifies the Registered Importer
 - ii. Valid U.S. Title
 - iii. Meet ALL Federal D.O.T. / E.P.A. Mandated Guidelines
 - iv. Documentation must be provided
- c. All vehicles, whether imported by a Manufacturer or a Registered Importer, must show miles per hour on the speedometer and miles traveled on the odometer. Title 49, United States Code, Chapter 327, Section 32704, allows replacement odometers without a door frame sticker if the conversion from kilometers to miles can be done without changing the distance traveled by the vehicle; therefore, replacement of an odometer under these circumstances does not have to be announced by the Seller.

VII. Arbitration Guidelines:

Vehicles that have any of the defects outlined in Appendix I that were not disclosed or announced at the time of sale must be reported to Auction within the time frame noted below in order to be eligible for arbitration. The only exception is in the case of the purchase of a Post Sale Inspection (PSI). The purchase of this service may increase arbitration timeframes of items covered in the auction's PSI policy. Vehicles must be returned to Auction in the same or better condition than when purchased.



Arbitration Policy

Effective Date: October 13, 2013

1. Time Period

Refer to Appendix I for arbitration time periods. Sale day is Day 1. Arbitration shall end at the close of business as determined by each Auction on the last calendar day in the time period.

2. Process

Any single mechanical defect that has a repair cost of \$500 or more is subject to arbitration on Green Light vehicles. Each vehicle transaction is allowed one chance at arbitration. The arbitrator will inspect only the defect that is on the arbitration form/documents. Repair costs will be determined by the Auction and will reflect the auction cost to repair. If price adjustment is made and accepted, vehicle becomes "As-Is" property of the Buyer, and is not subject to any further arbitration. The auction management makes the binding decision upon both the Buyer and Seller on all arbitration matters.

3. Fees

Auction reserves the right to assess an arbitration fee to the Buyer. If the arbitration is valid, Auction reserves the right to assess an arbitration fee to the Seller in addition to any charges associated with the arbitration.

4. Not subject to arbitration:

- a. Vehicles exceeding 20 model years, with the exception of trailers, RVs, and watercraft, which cannot be arbitrated if they exceed 10 model years.
- b. Kit vehicles, homemade vehicles, or modified vehicles are sold "As-Is" and cannot be arbitrated for odometer, frame, warranty books, or model year.
- c. Noise and Inherent Conditions: No arbitration can be based on noises or conditions that are inherent or typical to a particular model or manufacturer, unless deemed "excessive" by the arbitrator on non-warranty items. OEM dealer warranty guidelines will be used where applicable to determine whether the condition is excessive.

- d. Manual Transmissions: Vehicles with standard transmissions cannot be arbitrated for manual clutches unless the defect will not allow a safe test drive.
- e. Wearable Items: Auction will not arbitrate vehicles for wearable items. For purposes of this policy wearable items are defined as parts of the vehicle that the manufacturer recognizes the need for replacement/adjustment during the expected life of the vehicle. These items are normally identified in the Owner's Manual for routine check and replacement and would include, but are not limited to: tires, wipers, brake pads, shoes, rotors, belts, hoses, lubricants/fluids, timing belts, bulbs, filters, shocks and struts.
- f. Unsafe vehicles: Auction reserves the right to reject any vehicle that management judges to be unsafe.
- g. Vehicles may not be arbitrated based solely upon information provided in Electronic Data Vehicle Histories (EDVH) or printed EDVH reports. Auction and Seller are not bound by information listed in EDVH. Examples of EDVH include Carfax, AutoCheck, NMVTIS, etc. The facilitating Auction may investigate vehicle history based on information found in EDVH for information that may impact arbitration.
- h. Auction is not bound by vehicle grades or other types of scoring systems placed upon the vehicle. Buyers may only arbitrate a vehicle based upon damage or defects that were present at the time of the sale of the vehicle.



Arbitration Policy

Appendix I: NAAA Arbitration Policy Guideline

Effective Date: October 13, 2013

Appendix I. NAAA Arbitration Policy Guidelines

NAAA Seller Disclosure/Announcement Requirements	Disclosure/Announcement Required?		Arbitration Time Periods	
	Green Light	Red Light	Green Light	Red Light
	R/D	As-Is	R/D	As-Is
Major Components				
Engine problem*	Yes	No	A or C	N/A
Cracked or Repaired Block*	Yes	No	A or C	N/A
Transmission problem*	Yes	No	A or C	N/A
4 X 4 System inoperable*	Yes	No	A or C	N/A
ABS problem*	Yes	No	A or C	N/A
Emission control equipment missing or inoperable*	Yes	No	A or C	N/A
Air conditioning problem*	Yes	No	A or C	N/A
SRS-Missing or problem with airbags*	Yes	Yes	B or C	B or C
Vehicle History Issues				
Structural Damage per NAAA Structural Damage Policy	Yes	Yes	B or C	B or C
Not Actual Miles/Inoperative Odometer**	Yes	Yes	B or C	B or C
Salvage or Reconstructed/Theft Recovery/Stolen vehicles (including history)**	Yes	Yes	B or C	B or C
Insurance and/or Salvage titles (including history)**	Yes	Yes	B or C	B or C
Flood Damage (By Auction inspection)	Yes	Yes	B or C	B or C
Lemon Law/Manufacturer's Buyback**	Yes	Yes	B or C	B or C
State-issued VIN plates (including kit vehicles)	Yes	Yes	B or C	B or C
Taxis, Livery vehicles, Police cars, Government vehicles	Yes	Yes	B or C	B or C
Previous Canadian vehicles	Yes	Yes	B or C	B or C
Grey Market Vehicles**	Yes	Yes	B or C	B or C
Vehicles being sold with no title (Bill of Sale only)	Yes	Yes	B or C	B or C
Voided Factory Warranty	Yes	No	B or C	N/A
Fuel Conversion	Yes	No	B or C	N/A
Non-original Engine (excludes items replaced under manufacturer warranty) Calendar year and up to 4 years old	Yes	No	B or C	N/A
Logo or Decal Misrepresentation	Yes	Yes	A or C	A or C
Bio-Hazard Vehicles (both cleaned and contaminated) as required by law	Yes	Yes	A or C	A or C
Flood Damage history (discovered by DMV or Insurance company records)	Yes	Yes	120 Days	120 Days
Other Issues				
Vehicle Accessory Electrical Problems* (Calendar year and up to 4 years old)	Yes	No	A or C	N/A
Paintwork (3 panels or more) on current model year and newer (bumpers not included)	Yes	No	A or C	N/A
Vehicles not equipped with air conditioning (excludes vehicles 10 calendar years or older)	Yes	No	A or C	N/A
Vehicles being sold with a CO, MSO, or repo affidavit title (if required by state law)	Yes	Yes	7 days after receipt of title	7 days after receipt of title
Pending state or local DMV fees or taxes over \$100 due on vehicle (if required by state)	Yes	Yes	7 days after receipt of title	7 days after receipt of title
Any state required damage disclosure	Yes	Yes	7 days after receipt of title	7 days after receipt of title
Time Period vs. Sale Channel Breakdown				
"A" Inlane-Sale Day Only	"B" Inlane-7 Calendar Days Only			
"C" Online-2 calendar days within verified receipt of the vehicle from seller and/or auction not to exceed 10 calendar days from the original sale date				
*Must disclose defects that are singularly \$500 or more to repair				
**These transactions may be subject to arbitration regardless of the stated time limits. Arbitrations initiated after the stated time period will be addressed via the depreciation formula described in the Title Arbitration Policy, Paragraph 1.				



Arbitration Policy

Appendix II: NAAA Structural Damage Policy

Effective Date: October 13, 2013

Appendix II – NAAA Structural Damage Policy

NAAA Structural Damage Policy October 13, 2013

The purpose of the NAAA Structural Damage Policy is to define and clarify terminology associated with structural damage and to specify the disclosure requirements of the seller for vehicles offered at NAAA affiliated auctions. The policy is intended to provide adequate disclosure to the buyer for informed purchase decisions and to limit arbitrations for the seller. This policy (along with the main Arbitration policy) will serve as the primary criteria for all arbitration proceedings.

Definitions

- 1. Vehicle Structure**-The main load-bearing platform of a vehicle that gives strength, stability and design exclusivity and to which all other components of the vehicle are fastened. For purposes of this policy, there are three macro types:
 - a. **Unibody** -A type of structure whereby the floor, roof, panels, etc. are bonded together into one unit, thereby eliminating the need for a separate conventional frame. Unibody structures are typically shorter, sturdy and have thinner wall thickness.
 - b. **Unibody on Frame**-A type of structure whereby a unitized structure is bolted to a conventional frame.
 - c. **Conventional Frame**-A type of structure consisting of two symmetrical rails (beams) connected by cross-members.

- 2. UVMS**-Used Vehicle Measurement Standard. The commercially acceptable measurement deviation from the vehicle's original structural specification in order for any deviation not to be considered structural damage.

Recommended Disclosures

- 1. "Structural Damage"**-Damage to the structure or a specific structural component of the vehicle. Often referred to as frame damage, although it also applies to Unibody and Unibody on Frame structures in addition to Conventional Frame.
- 2. "Certified Structural Repairs/Replacement"**-Repairs to a specifically identified structural component of a vehicle that has been certified to be within the Used Vehicle Measurement Standard (UVMS).
- 3. Structural Alteration** -An alteration to the vehicle's structure including a lengthened or shortened frame, a modified suspension, or the installation or removal of after-market accessories.



Arbitration Policy

Appendix II: NAAA Structural Damage Policy

Effective Date: October 13, 2013

Seller Disclosure Requirements

Sellers must disclose structural damage, repairs or replacements as outlined in this policy prior to selling a vehicle at auction regardless of sales channel or light condition (see main Arbitration policy for light definitions). Disclosures are required for the following:

1. Any/all existing permanent (non-repairable) structural damage as defined in this policy
2. Improper and/or substandard prior repairs (not meeting OEM repair guidelines)
3. Repairs not certified to be within the UVMS
4. Improper alterations to the structure
5. Lengthened or Shortened structure
6. Altered suspension that requires the structure to be modified from its OEM form.
7. After-market accessories installed or removed to the structure.
8. Towing packages installed (or removed) where new holes are drilled, OEM holes are enlarged, or if the towing package is welded or brazed to the structure.
9. Multiple access holes (regardless of size) or singular access holes greater than 5/8". Access holes between 1/4" and 5/8" are subject to disclosure based upon location and condition of structural component.
10. Corrosion of structural components determined by one or more of the following; when the substrate loses its shape, the original bonds near the affected area are loose or no longer in existence, the original thickness of the substrate has been reduced by more than 25%, the affected area can no longer possess its absorption or deflection properties.
11. Structural tear damage (i.e. transport tie-down) if more than 1" in length (measured from tear start/stop points)
12. Damage due to improper jacking or lifting that permanently deforms structural components outlined in this policy.
13. Damage due to contact with parking abutments and/or road debris that permanently deforms structural components outlined in this policy.
14. Roof bows/braces that have been modified, have existing damage or removed. A replaced roof skin is not a required disclosure in terms of the Structural Damage Policy.
15. The C pillar/quarter or Cab panel may or may not be a structural component(s) as per the vehicle manufacturer.



Arbitration Policy

Appendix II: NAAA Structural Damage Policy

Effective Date: October 13, 2013

Arbitration Rules for Structural Damage

1. A vehicle may be arbitrated if it has undisclosed existing damage or repairs, which should have been disclosed under this policy, even though the vehicle is within the UVMS. If structural damage is properly disclosed, the vehicle may only be arbitrated for improper repair of the designated area, existing damage or repairs to other areas of the vehicle not disclosed, or for failure to be within the UVMS.
2. In the event that structural alteration is disclosed on a vehicle, the vehicle may only be arbitrated for damage or repairs to structural components other than those disclosed or in the event of improper alteration.
3. Damaged or replaced core supports does not require a structural disclosure under this policy.
4. Damage to the apron or other ancillary structural components on a unitized structure in the area where the radiator core support attaches may require a disclosure if damage exists.
5. Brazed exhaust hangers are not a required disclosure under this policy.
6. Facilitating auction will, at its discretion, have a vehicle measured according to the UVMS at a facility of its choice. Prior to sending the vehicle for measurement, the auction reserves the right to complete a visual verification of the physical condition of the vehicle to determine that it should be measured. If the measuring facility determines that the vehicle is within the UVMS, the buyer of the vehicle will be responsible for the charges paid to the facility. Likewise, if the measuring facility determines that the vehicle is not within the UVMS, the seller will be responsible for the charges paid to the facility.
7. Visual evidence supersedes any/all mechanical or electronic measurements.
8. For measurements according to the UVMS, the following guidelines will apply:
 - a. The vehicle structure must measure to a total tolerance of no more than +/- 8 millimeters (mm) of published specification of length, width and height at control points that capture the front (2), center (4) and rear (2) sections of the vehicle.
 - b. Symmetrically (comparative measure from side to side and point to point based on point measurement), the length, width and height must measure to a difference of no more than 6mm.
 - c. Upper body measurements (tram gauge) by themselves will not be adequate.
9. Buyer must arbitrate any/all structural misrepresentations as outlined in this policy within published timelines (outlined in the main Arbitration policy matrix) from date of purchase (purchase day counts as Day One).
10. The buyer must contact and follow the arbitration process of the auction where the vehicle was purchased including the auction's direction for return of the vehicle and the timeframe allowed for the vehicle to be returned.
11. In the event of improperly disclosed structural damage by the seller, the buyer will be entitled to reimbursement in accordance with the main Arbitration Policy.



Arbitration Policy

Appendix II: NAAA Structural Damage Policy

Effective Date: October 13, 2013

	Structural Components	Structural Damage Disclosure Requirement		
		Unibody	Unibody on Frame	Conventional Frame
1	Frame Rails Including front, center and rear rails	Existing Damage, Removed, Modified, Repaired or Replaced		
2	Spring Pod, and Torque Box or Stabilizer Mount	N/A	Existing Damage, Removed, Modified, Repaired or Replaced	
3	Cross Members (Except Bolt-Ons)	N/A	Existing Damage, Removed, Modified, Repaired or Replaced	
4	Apron Assembly	Existing Damage, Removed, Modified, Repaired or Replaced		NONE
5	Strut Tower Assembly	Existing Damage, Removed, Modified, Repaired or Replaced		NONE
6	Cowl Panel/Firewall-excluding cowl vent panel	Existing Damage, Removed, Modified, Repaired or Replaced		NONE
7	Support Pillars- "A", "B", "C"* or "D"* Pillars	Existing Damage, Removed, Modified, Repaired or Replaced		
8	Roof Braces/Bows	Existing Damage, Removed, Modified, Repaired or Replaced		
9	Rocker Panel-Outer	Replacement Only		NONE
10	Rocker Panel-Inner	Existing Damage, Removed, Modified, Repaired or Replaced		NONE
11	Floor/Trunk Panels	Torn and/or Perforated if 1" or more,		NONE
12	Quarter* or Cab Panel*	Replacement Only		NONE
13	Inner Quarter Panel Assembly (includes wheelhouse panel/rear strut tower and wheelhouse extension lower)*	Existing Damage, Removed, Modified, Repaired or Replaced		NONE

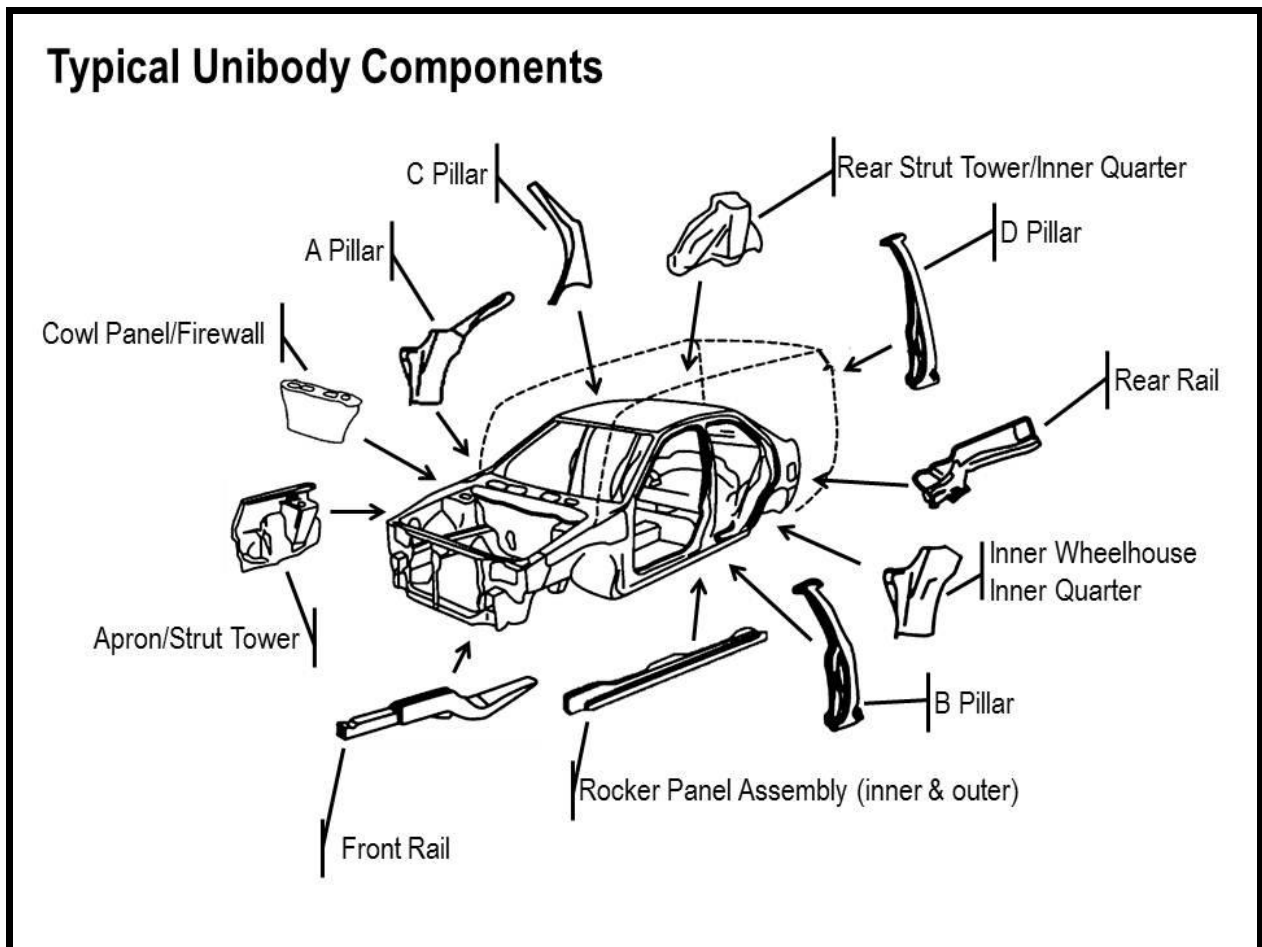
**Only applies to components deemed structural per the OEM. Not all manufacturers recognize the C Pillar, Quarter or Cab Panel as structural components*



Arbitration Policy

Appendix II: NAAA Structural Damage Policy

Effective Date: October 13, 2013

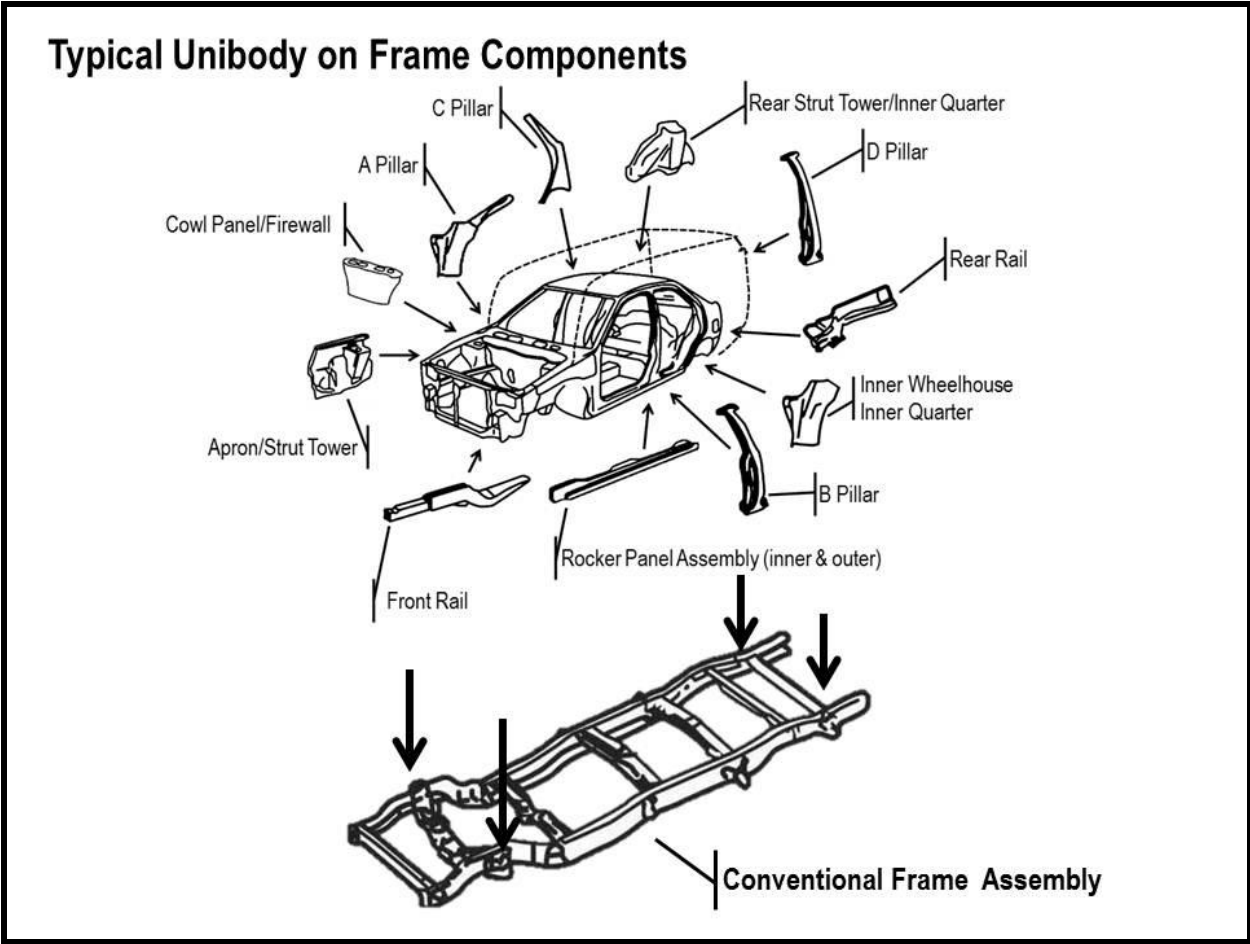




Arbitration Policy

Appendix II: NAAA Structural Damage Policy

Effective Date: October 13, 2013





Arbitration Policy

Appendix II: NAAA Structural Damage Policy

Effective Date: October 13, 2013

Typical Conventional Frames

